
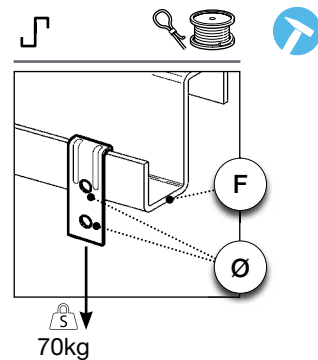



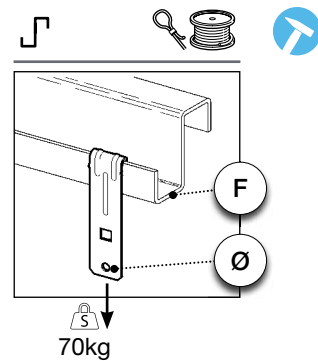



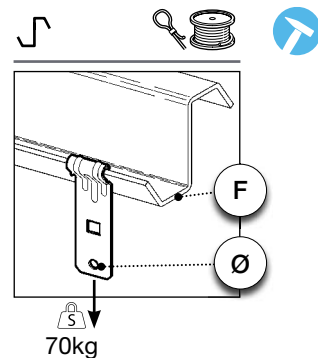
	F mm	Ø mm	
781011 03804	BF1	1,5 - 4,0	7	25
781011 03806	BF2	4,0 - 6,5	7	25






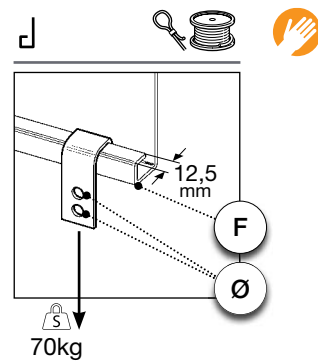
		F mm	Ø mm	
781011 88456	BF3	1,5 - 6,0	7	25



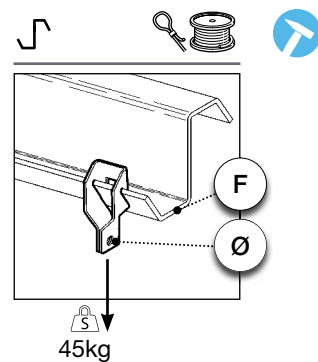
		F mm	Ø mm	
781011 88457	BF4	1,5 - 6,0	7	25

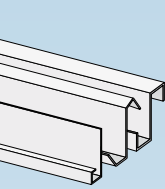


		F mm	Ø mm	
781011 04410	BF14	2,5	7	100



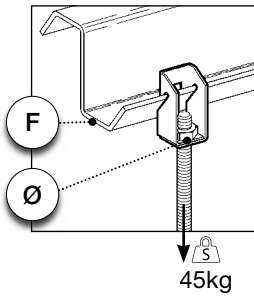
		F mm	Ø mm	
781011 03713	BF12	≤ 2.8	7	100





F
mm

Ø
mm

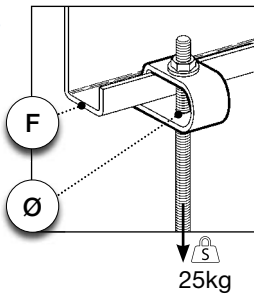


781011 03705	BF13	≤ 2.8	7	100
---------------------	-------------	-------	---	-----



F
mm

Ø
mm

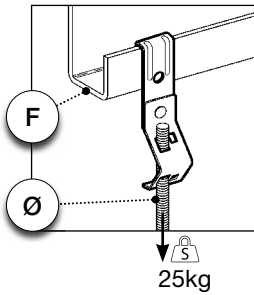


781011 01721	BH21	≤ 25	11	100
---------------------	-------------	------	----	-----



F
mm

Ø

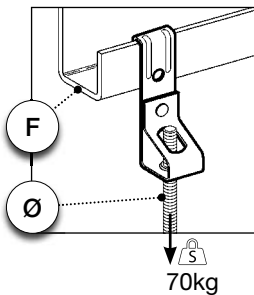


781011 04165	BMH1-F1	1,5 - 4,0	M4 & M5	25
781011 03819	BH1-F1	1,5 - 4,0	M4 & M6	25
781011 03821	BH14-F1	1,5 - 4,0	M8	25
781011 03822	BH2-F1	1,5 - 4,0	M10	25
781011 04166	BMH1-F2	4,0 - 6,5	M4 & M5	25
781011 03823	BH1-F2	4,0 - 6,5	M4 & M6	25
781011 03824	BH14-F2	4,0 - 6,5	M8	25
781011 03826	BH2-F2	4,0 - 6,5	M10	25



F
mm

Ø

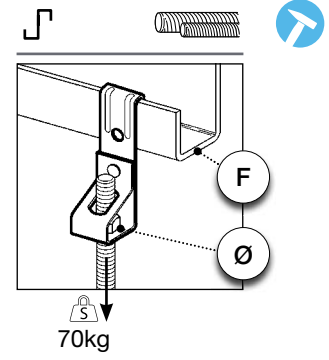


781011 03807	BH4-F1	1,5 - 4,0	M6	25
781011 03808	BMH8-F1	1,5 - 4,0	M8	25
781011 03809	BMH10-F1	1,5 - 4,0	M10	25
781011 03811	BH4-F2	4,0 - 6,5	M6	25
781011 03812	BMH8-F2	4,0 - 6,5	M8	25
781011 03813	BMH10-F2	4,0 - 6,5	M10	25

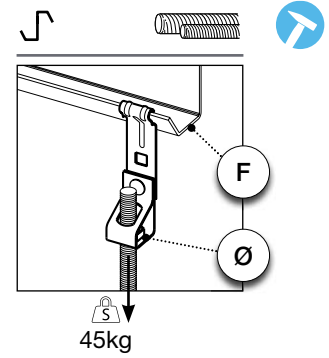




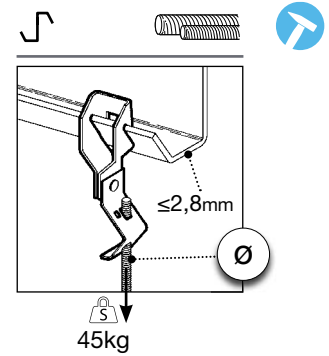
		F mm	Ø mm	M-ZINC
781011 03814	BH5-F1	1,5 - 4,0	11	25
781011 03816	BH13-F1	1,5 - 4,0	13	25
781011 03817	BH5-F2	4,0 - 6,5	11	25
781011 03818	BH13-F2	4,0 - 6,5	13	25



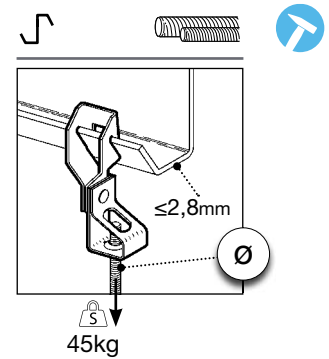
		F mm	Ø mm	M-ZINC
781011 88486	BH5-F4	1,5 - 6,0	11	25

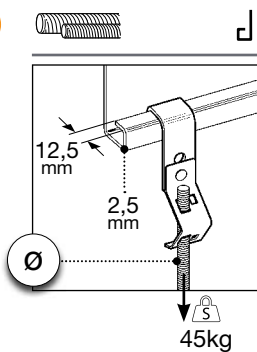
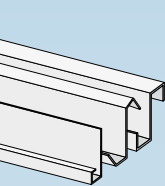


		Ø	M-ZINC
781011 04177	BMH1-F12	M4 & M5	25
781011 03714	BH1-F12	M4 & M6	25
781011 03715	BH14-F12	M8	25
781011 03716	BH2-F12	M10	25



		Ø	M-ZINC
781011 03717	BH4-F12	M6	25
781011 03718	BMH8-F12	M8	25
781011 03719	BMH10-F12	M10	25
781011 03802	BH5-F12	11mm	25
781011 03803	BH13-F12	13mm	25

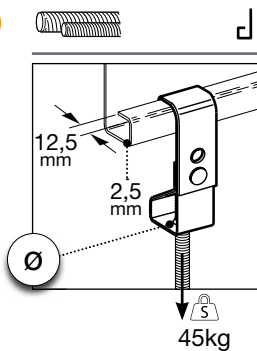




Ø



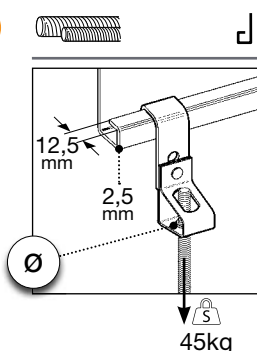
781011 04420	BH1-F14	M4 & M6	25
781011 04422	BH14-F14	M8	25
781011 04423	BH2-F14	M10	25



Ø



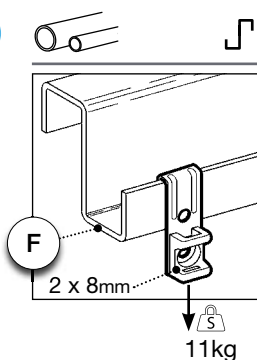
781011 94463	BH4-F14-R	M6	25
781011 95067	BMH8-F14-R	M8	25
781011 95069	BMH10-F14-R	M10	25
781011 95064	BH5-F14-R	11mm	25
781011 95075	BH13-F14-R	13mm	25



Ø



781011 04424	BH4-F14	M6	25
781011 04428	BMH8-F14	M8	25
781011 04427	BMH10-F14	M10	25
781011 04425	BH5-F14	11mm	25
781011 04421	BH13-F14	13mm	25



F
mm

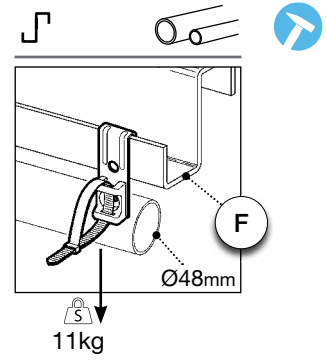


781011 04094	BF1-CT	1,5 - 4,0	25
781011 04096	BF2-CT	4,0 - 6,5	25

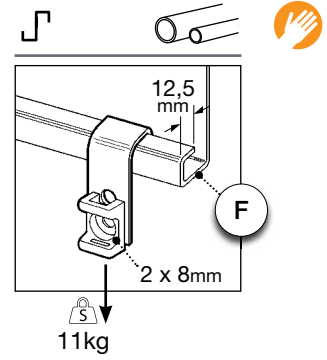




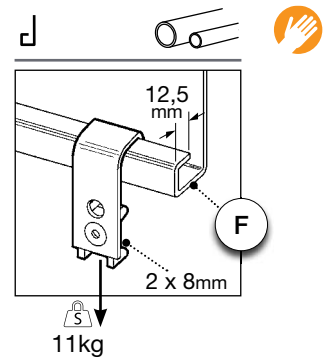
		F mm	M-ZINC
781011 03777	BF1-CT2	1,5 - 4,0	25
781011 03778	BF2-CT2	4,0 - 6,5	25



		F mm	E-ZINC
781011 04412	BF14-CT	2,5	25



		F mm	E-ZINC
781011 04413	BF14-CT-R	2,5	25



		F mm	E-ZINC
781011 04414	BF14-CT2	2,5	25

