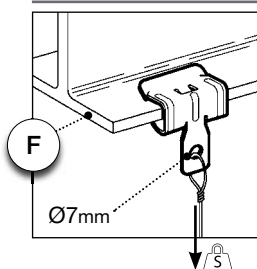


I



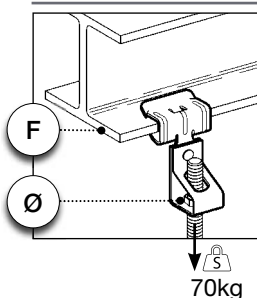
F  
mm



<b>781011 03897</b>	BE-1-2	2 - 3	70kg	25
<b>781011 03898</b>	BE-2-4	3 - 8	90kg	25
<b>781011 03899</b>	BE-5-8	8 - 14	90kg	25
<b>781011 03901</b>	BE-9-12	14 - 20	90kg	25



I



F  
mm

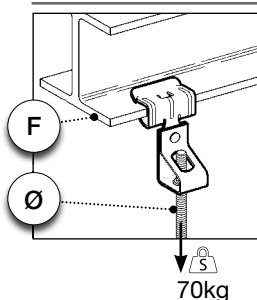
Ø  
mm



<b>781011 04101</b>	BH5-E-1-2	2 - 3	11	25
<b>781011 03693</b>	BH5-E-2-4	3 - 8	11	25
<b>781011 03694</b>	BH5-E-5-8	8 - 14	11	25
<b>781011 03695</b>	BH5-E-9-12	14 - 20	11	25
<b>781011 04142</b>	BH13-E-1-2	2 - 3	13	25
<b>781011 03696</b>	BH13-E-2-4	3 - 8	13	25
<b>781011 03697</b>	BH13-E-5-8	8 - 14	13	25
<b>781011 03698</b>	BH13-E-9-12	14 - 20	13	25



I



F  
mm

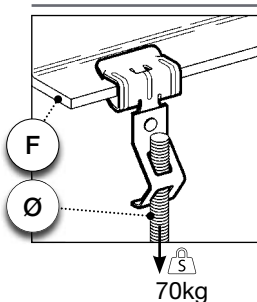
Ø



<b>781011 04099</b>	BH4-E-1-2	2 - 3	M6	25
<b>781011 03683</b>	BH4-E-2-4	3 - 8	M6	25
<b>781011 03684</b>	BH4-E-5-8	8 - 14	M6	25
<b>781011 03685</b>	BH4-E-9-12	14 - 20	M6	25
<b>781011 04102</b>	BMH8-E-1-2	2 - 3	M8	25
<b>781011 03687</b>	BMH8-E-2-4	3 - 8	M8	25
<b>781011 03688</b>	BMH8-E-5-8	8 - 14	M8	25
<b>781011 03689</b>	BMH8-E-9-12	14 - 20	M8	25
<b>781011 04103</b>	BMH10-E-1-2	2 - 3	M10	25
<b>781011 03690</b>	BMH10-E-2-4	3 - 8	M10	25
<b>781011 03691</b>	BMH10-E-5-8	8 - 14	M10	25
<b>781011 03692</b>	BMH10-E-9-12	14 - 20	M10	25



I



F  
mm

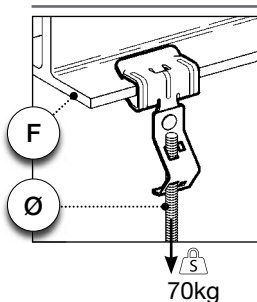
Ø



<b>781011 04193</b>	BH14-E-1-2	2 - 3	M8	25
<b>781011 03675</b>	BH14-E-2-4	3 - 8	M8	25
<b>781011 03676</b>	BH14-E-5-8	8 - 14	M8	25
<b>781011 03677</b>	BH14-E-9-12	14 - 20	M8	25
<b>781011 04192</b>	BH2-E-1-2	2 - 3	M10	25
<b>781011 03679</b>	BH2-E-2-4	3 - 8	M10	25
<b>781011 03680</b>	BH2-E-5-8	8 - 14	M10	25



I



F  
mm

Ø

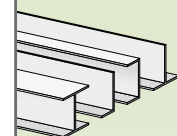
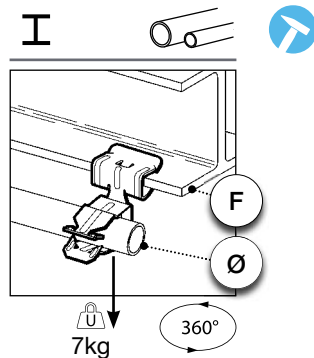


<b>781011 04156</b>	BMH1-E-1-2	2 - 3	M4/M5	25
<b>781011 04157</b>	BMH1-E-2-4	3 - 8	M4/M5	25
<b>781011 04158</b>	BMH1-E-5-8	8 - 14	M4/M5	25

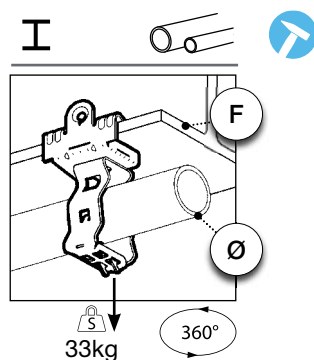




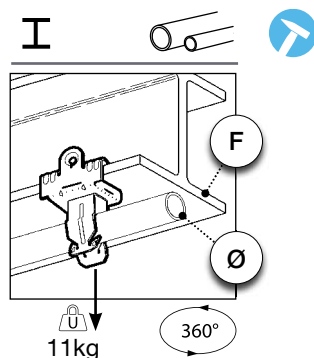
			F mm	Ø mm	M-ZINC
781011 04105	BP-8-E-1-2	2 - 3	18 - 22	25	
781011 04011	BP-8-E-2-4	3 - 8	18 - 22	25	
781011 03902	BP-8-E-5-8	8 - 14	18 - 22	25	
781011 03903	BP-8-E-9-12	14 - 20	18 - 22	25	
781011 04107	BP-12-E-1-2	2 - 3	22 - 30	25	
781011 03904	BP-12-E-2-4	3 - 8	22 - 30	25	
781011 03906	BP-12-E-5-8	8 - 14	22 - 30	25	
781011 03907	BP-12-E-9-12	14 - 20	22 - 30	25	
781011 04145	BP-16-E-1-2	2 - 3	30 - 35	25	
781011 03908	BP-16-E-2-4	3 - 8	30 - 35	25	
781011 03909	BP-16-E-5-8	8 - 14	30 - 35	25	
781011 03911	BP-16-E-9-12	14 - 20	30 - 35	25	

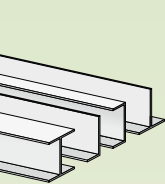


			F mm	Ø mm	M-ZINC
781011 03954	BG-6-U-2-4	3 - 8	14 - 18	25	
781011 03956	BG-6-U-5-8	8 - 14	14 - 18	25	
781011 03957	BG-6-U-9-12	14 - 20	14 - 18	25	
781011 03958	BG-8-12-U-2-4	3 - 8	18 - 27	25	
781011 03959	BG-8-12-U-5-8	8 - 14	18 - 27	25	
781011 03961	BG-8-12-U-9-12	14 - 20	18 - 27	25	
781011 03962	BG-16-U-2-4	3 - 8	27 - 35	25	
781011 03963	BG-16-U-5-8	8 - 14	27 - 35	25	
781011 03964	BG-16-U-9-12	14 - 20	27 - 35	25	
781011 03966	BG-20-U-2-4	3 - 8	35 - 42	25	
781011 03967	BG-20-U-5-8	8 - 14	35 - 42	25	
781011 03968	BG-20-U-9-12	14 - 20	35 - 42	25	
781011 03633	BG-24-U-2-4	3 - 8	42 - 50	25	
781011 03634	BG-24-U-5-8	8 - 14	42 - 50	25	
781011 03635	BG-24-U-9-12	14 - 20	42 - 50	25	
781011 03637	BG-32-U-2-4	3 - 8	50 - 63	25	
781011 03638	BG-32-U-5-8	8 - 14	50 - 63	25	
781011 03639	BG-32-U-9-12	14 - 20	50 - 63	25	

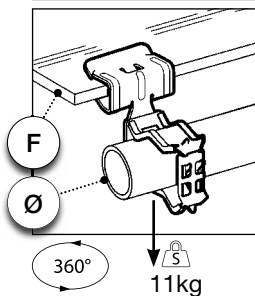


			F mm	Ø mm	M-ZINC
781011 03944	BP-8-U-2-4	3 - 8	18 - 22	25	
781011 03945	BP-8-U-5-8	8 - 14	18 - 22	25	
781011 03946	BP-8-U-9-12	14 - 20	18 - 22	25	
781011 03947	BP-12-U-2-4	3 - 8	22 - 30	25	
781011 03948	BP-12-U-5-8	8 - 14	22 - 30	25	
781011 03949	BP-12-U-9-12	14 - 20	22 - 30	25	
781011 03951	BP-16-U-2-4	3 - 8	30 - 35	25	
781011 03952	BP-16-U-5-8	8 - 14	30 - 35	25	
781011 03953	BP-16-U-9-12	14 - 20	30 - 35	25	





I



F  
mm

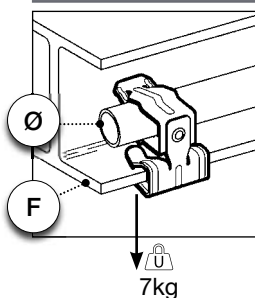
Ø  
mm



<b>781011 04146</b>	BG-6-E-1-2	2 - 3	14 - 18	25
<b>781011 03919</b>	BG-6-E-2-4	3 - 8	14 - 18	25
<b>781011 03921</b>	BG-6-E-5-8	8 - 14	14 - 18	25
<b>781011 03922</b>	BG-6-E-9-12	14 - 20	14 - 18	25
<b>781011 04097</b>	BG-8-12-E-1-2	2 - 3	18 - 27	25
<b>781011 03923</b>	BG-8-12-E-2-4	3 - 8	18 - 27	25
<b>781011 03924</b>	BG-8-12-E-5-8	8 - 14	18 - 27	25
<b>781011 03925</b>	BG-8-12-E-9-12	14 - 20	18 - 27	25
<b>781011 04098</b>	BG-16-E-1-2	2 - 3	27 - 35	25
<b>781011 03926</b>	BG-16-E-2-4	3 - 8	27 - 35	25
<b>781011 03927</b>	BG-16-E-5-8	8 - 14	27 - 35	25
<b>781011 03928</b>	BG-16-E-9-12	14 - 20	27 - 35	25
<b>781011 04147</b>	BG-20-E-1-2	2 - 3	35 - 42	25
<b>781011 03929</b>	BG-20-E-2-4	3 - 8	35 - 42	25
<b>781011 03930</b>	BG-20-E-5-8	8 - 14	35 - 42	25
<b>781011 03931</b>	BG-20-E-9-12	14 - 20	35 - 42	25
<b>781011 04137</b>	BG-24-E-1-2	2 - 3	42 - 50	25
<b>781011 03932</b>	BG-24-E-2-4	3 - 8	42 - 50	25
<b>781011 03933</b>	BG-24-E-5-8	8 - 14	42 - 50	25
<b>781011 03934</b>	BG-24-E-9-12	14 - 20	42 - 50	25
<b>781011 04138</b>	BG-32-E-1-2	2 - 3	50 - 63	25
<b>781011 03935</b>	BG-32-E-2-4	3 - 8	50 - 63	25
<b>781011 03936</b>	BG-32-E-5-8	8 - 14	50 - 63	25
<b>781011 03937</b>	BG-32-E-9-12	14 - 20	50 - 63	25



I



F  
mm

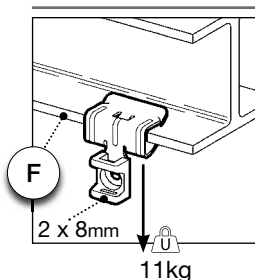
Ø  
mm



<b>781011 04106</b>	BP-8-E-1-2-R	2 - 3	18 - 22	25
<b>781011 03912</b>	BP-8-E-2-4-R	3 - 8	18 - 22	25
<b>781011 03913</b>	BP-8-E-5-8-R	8 - 14	18 - 22	25
<b>781011 03914</b>	BP-8-E-9-12-R	14 - 20	18 - 22	25
<b>781011 04108</b>	BP-12-E-1-2-R	2 - 3	22 - 30	25
<b>781011 03916</b>	BP-12-E-2-4-R	3 - 8	22 - 30	25
<b>781011 03917</b>	BP-12-E-5-8-R	8 - 14	22 - 30	25
<b>781011 03918</b>	BP-12-E-9-12-R	14 - 20	22 - 30	25
<b>781011 04136</b>	BP-16-E-1-2-R	2 - 3	30 - 35	25



I



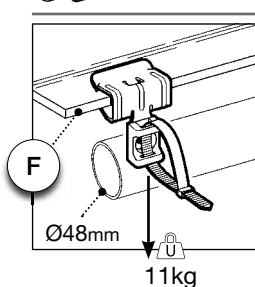
F  
mm



<b>781011 04088</b>	BE-1-2-CT	2 - 3		25
<b>781011 04091</b>	BE-2-4-CT	3 - 8		25
<b>781011 04092</b>	BE-5-8-CT	8 - 14		25
<b>781011 04093</b>	BE-9-12-CT	14 - 20		25



I



F  
mm

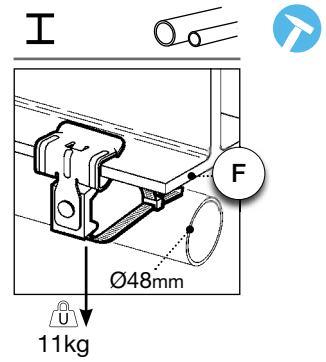


<b>781011 04089</b>	BE-1-2-CT2	2 - 3		25
<b>781011 03771</b>	BE-2-4-CT2	3 - 8		25
<b>781011 03772</b>	BE-5-8-CT2	8 - 14		25
<b>781011 03773</b>	BE-9-12-CT2	14 - 20		25

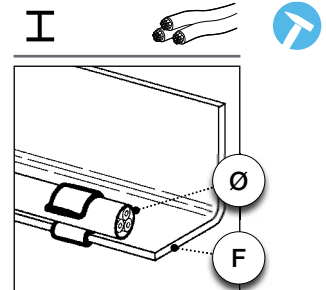




			F mm	M-ZINC
781011 03774	BE-2-4-CT2-R	3 - 8	25	
781011 03775	BE-5-8-CT2-R	8 - 14	25	
781011 03776	BE-9-12-CT2-R	14 - 20	25	



		F mm	Ø mm	E-ZINC
781011 19973	BXS-67	2 - 4	6 - 7	100
781011 19974	BXS-89	2 - 4	8 - 9	100
781011 19975	BXS-1011	2 - 4	10 - 11	100
781011 19976	BXS-1214	2 - 4	12 - 14	100
781011 19977	BXS-1519	2 - 4	15 - 19	100
781011 19978	BXS-2024	2 - 4	20 - 24	100
781011 19979	BXS-2530	2 - 4	25 - 30	100



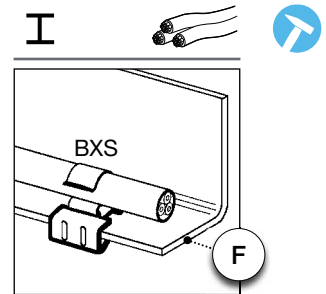
781011 19980	BXM-67	4 - 7	6 - 7	100
781011 19981	BXM-89	4 - 7	8 - 9	100
781011 19982	BXM-1011	4 - 7	10 - 11	100
781011 19983	BXM-1214	4 - 7	12 - 14	100
781011 19984	BXM-1519	4 - 7	15 - 19	100
781011 19985	BXM-2024	4 - 7	20 - 24	100
781011 19986	BXM-2530	4 - 7	25 - 30	100



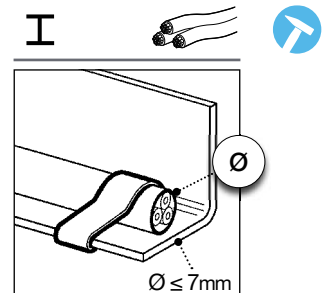
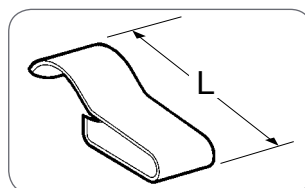
781011 19987	BXL-67	8 - 12	6 - 7	100
781011 19988	BXL-89	8 - 12	8 - 9	100
781011 19989	BXL-1011	8 - 12	10 - 11	100
781011 19990	BXL-1214	8 - 12	12 - 14	100
781011 19991	BXL-1519	8 - 12	15 - 19	100
781011 19992	BXL-2024	8 - 12	20 - 24	100
781011 19993	BXL-2530	8 - 12	25 - 30	100

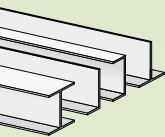


		F mm		E-ZINC
781011 19955	BFA-1215	12 - 15	+BXS	100
781011 19956	BFA-1520	15 - 20	+BXS	100

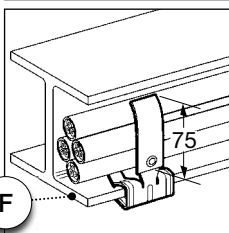


		Ø mm	L mm	M-ZINC
781011 04013	BX-16	16	41	100
781011 04012	BX-20	20	48	100





I



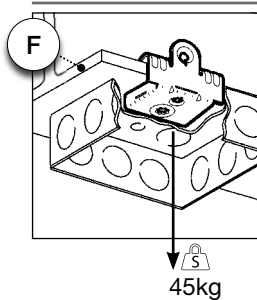
F  
mm



<b>781011 03779</b>	BE-1-2-F62	2 - 3	25
<b>781011 03780</b>	BE-2-4-F62	3 - 8	25
<b>781011 03781</b>	BE-5-8-F62	8 - 14	25
<b>781011 03782</b>	BE-9-12-F62	14 - 20	25



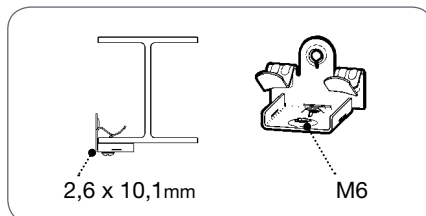
I



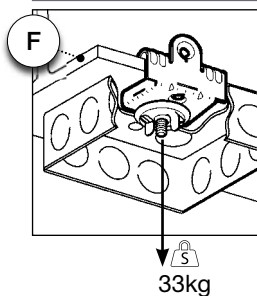
F  
mm



<b>781011 03938</b>	BU-2-4	3 - 8	25
<b>781011 03939</b>	BU-5-8	8 - 14	25
<b>781011 03940</b>	BU-9-12	14 - 20	25



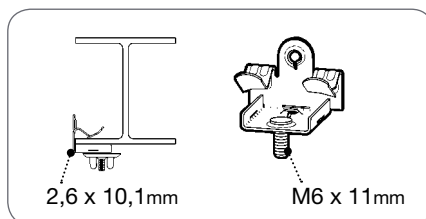
I



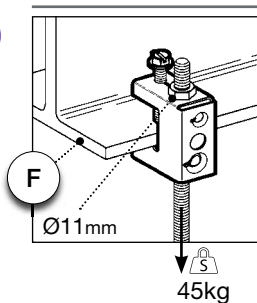
F  
mm



<b>781011 03941</b>	BMU-2-4-S	3 - 8	25
<b>781011 03942</b>	BMU-5-8-S	8 - 14	25
<b>781011 03943</b>	BMU-9-12-S	14 - 20	25



I



F  
mm

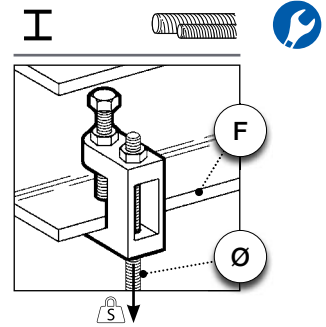


<b>781011 03640</b>	BC1	≤18	25
---------------------	-----	-----	----

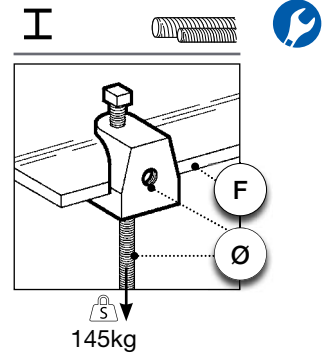




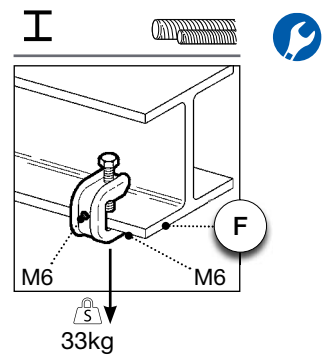
			F mm	Ø	S	E-ZINC
<b>781011 97320</b>	BC08	≤18	9mm	120kg	50	
<b>781011 19938</b>	BC10	≤19	11mm	240kg	50	
<b>781011 19939</b>	BC12	≤23	13mm	340kg	50	
<b>782051 30655</b>	BMC-06	≤18	M6	100kg	50	
<b>781011 97322</b>	BMC-08	≤18	M8	120kg	50	
<b>781011 97321</b>	BMC-10	≤19	M10	240kg	50	
<b>781011 97253</b>	BMC-12	≤23	M12	340kg	50	



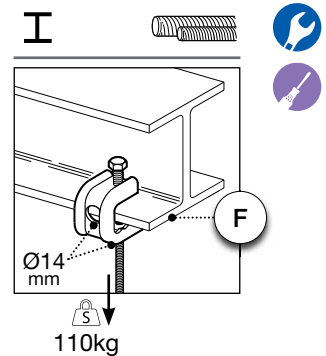
		F mm	Ø	E-ZINC
<b>781011 19944</b>	B444-M6	≤13	M6	50
<b>781011 19945</b>	B444-M8	≤13	M8	50
<b>781011 19946</b>	B444-M10	≤13	M10	50

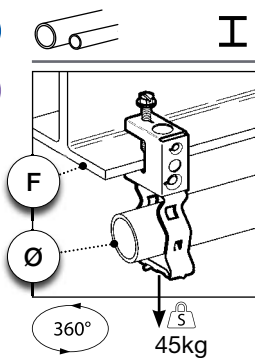
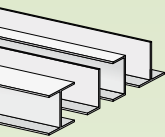


		F mm	E-ZINC
<b>781011 03408</b>	BMC442	3 - 16	25



		F mm	E-ZINC
<b>781011 04535</b>	BMC24	24	20
<b>781011 04536</b>	BMC32	32	20
<b>781011 04537</b>	BMC46	46	20



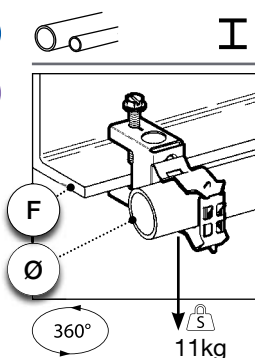


F  
mm

Ø  
mm



<b>781011 03641</b>	BG-8-12-C2	≤18	18 - 27	25
<b>781011 03642</b>	BG-16-C2	≤18	27 - 35	25
<b>781011 03643</b>	BG-20-C2	≤18	35 - 42	25
<b>781011 03644</b>	BG-24-C2	≤18	42 - 50	25
<b>781011 03645</b>	BG-32-C2	≤18	50 - 63	25

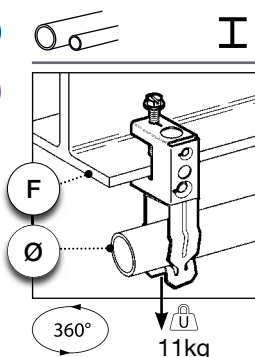


F  
mm

Ø  
mm



<b>781011 03646</b>	BG-8-12-C1	≤18	18 - 27	25
<b>781011 03647</b>	BG-16-C1	≤18	27 - 35	25
<b>781011 03648</b>	BG-20-C1	≤18	35 - 42	25
<b>781011 03649</b>	BG-24-C1	≤18	42 - 50	25
<b>781011 03651</b>	BG-32-C1	≤18	50 - 63	25

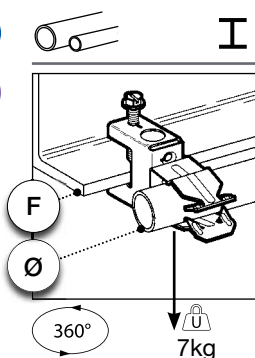


F  
mm

Ø  
mm



<b>781011 03652</b>	BP-8-C2	≤18	18 - 22	25
<b>781011 03653</b>	BP-12-C2	≤18	22 - 30	25
<b>781011 03655</b>	BP-16-C2	≤18	30 - 35	25



F  
mm

Ø  
mm



<b>781011 03656</b>	BP-8-C1	≤18	18 - 22	25
<b>781011 03657</b>	BP-12-C1	≤18	22 - 30	25
<b>781011 03659</b>	BP-16-C1	≤18	30 - 35	25

