

Speciality - 2 post rack system



About 2 Post rack - System

A simple mounting frame solution to house IT equipment and provide maximum cabling access and capacity.

Eaton's B-Line Business range of open frames are ideally suited to telecommunications rooms for copper/fibre patching. The open access design allows for ease of installation and provides a secure connectivity solution for CAT 6A and CAT 7 cabling.

The Eaton's B-Line Business 2 post rack system can come fitted with a proven range of cable management to provide maximum flexibility and support for any style of cable entry design.

Features and options

- Bolt together construction
- 42U, 45U, 47U and 52U standard heights
- Range of vertical cable management options and configurations
- Robust pre-drilled floor mounting base (no bolts supplied)
- Pre-drilled top frame for mounting cable trays and baskets
- Black finish
- Supplied in simple kit form for easy on-site assembly



2 Post rack - Frame

Eaton's B-Line Business open rack frame is available in a range of unit heights to suit almost all applications. Designed to be easily assembled on site each frame ships flat packed for simple installation.

Included as standard

- 2 x vertical 19" members
- 2 x pre drilled base mounting angles (no bolts supplied)
- 2 x top support angles
- Black finish
- Supplied in simple kit form for easy on-site assembly

Configuration	Application	Height U	Colour	Order code
2 Post rack frame kit	2PRFK	42U	B = Black	2PRFK42UB
		45U		2PRFK45UB
		47U		2PRFK47UB
		52U		2PRFK52UB



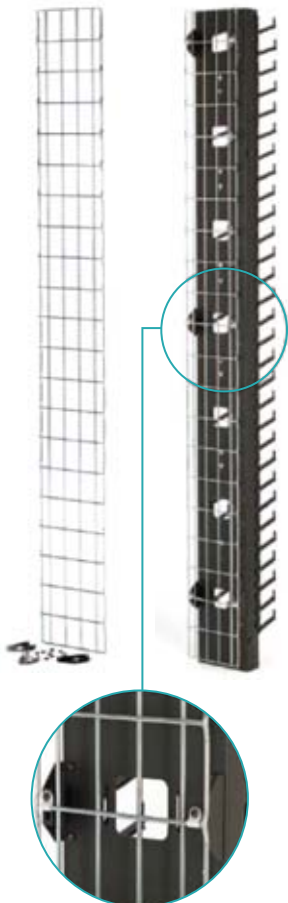
2 Post rack - Vertical cable manager

Eaton's B-Line Business open rack vertical cable managers are available in a range of unit heights and in two standard widths. The managers are designed to bolt to the sides of the 2 post rack frames and can be configured either in single or double configurations. Units are supplied complete with dual hinged split covers for ease of operation and improved cable management.

Features and options

- 1 x vertical manager
- 2 x dual hinged covers
- Mounting instructions and fixings
- Black finish
- Supplied in simple kit form for easy on-site assembly

Configuration	Application	Rack height U	Width mm	Colour	Order code
2 post rack vertical manager kit	2PRMK	42U	140	B = Black	2PRMK42U140B
			280		2PRMK42U280B
		45U	140	B = Black	2PRMK45U140B
			280		2PRMK45U280B
		47U	140	B = Black	2PRMK47U140B
			280		2PRMK47U280B
		52U	140	B = Black	2PRMK52U140B
			280		2PRMK52U280B



2 Post rack - Vertical cable manager basket

Designed to mount on the rear of the 2 post rack vertical cable managers these basic sections can be configured to offer either rear facing management options.

Included as standard

- 1 x vertical basket manager
- Mounting hardware
- Black brackets, Silver basket
- Easy to install mounted on the back of single sided RCM cable managers

Configuration	Application	Rack height U	Width mm	Colour	Order code
2 post rack vertical basket kit	2PRBK	42U	100	B = Black	2PRBK42U100B
			200		2PRBK42U200B
			300		2PRBK42U300B
		45U	100	B = Black	2PRBK45U100B
			200		2PRBK45U200B
			300		2PRBK45U300B
		47U	100	B = Black	2PRBK47U100B
			200		2PRBK47U200B
			300		2PRBK47U300B
		52U	100	B = Black	2PRBK52U100B
			200		2PRBK52U200B
			300		2PRBK52U300B

Speciality - 2 post rack system



2 Post rack - Horizontal cable managers

Horizontal cable supports are available in 1U, 2U or 3U heights, providing added cable routing options

Configuration	Height U	Colour	Order code
Horizontal 19" cable managers	1U	Black	SB87019S1FB
	2U		SB87019S2FB
	3U		SB87019S3FB



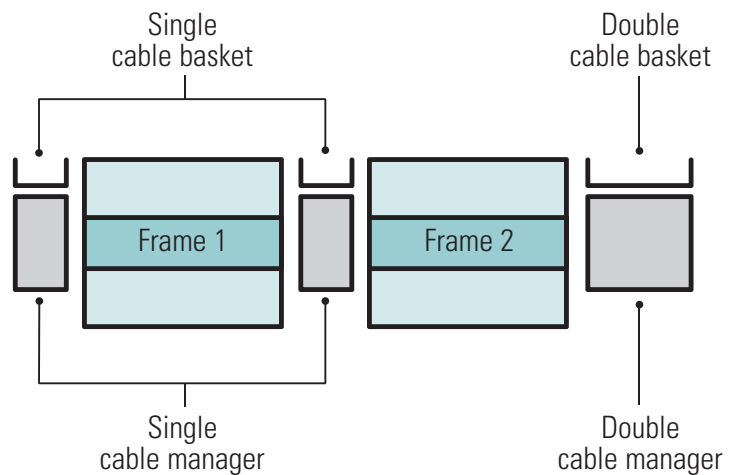
2 Post rack - Adjustable cable manager cable spools

Eaton's B-Line Business adjustable cable spools provide support and anchor points for managing changes in cable direction

Configuration	Colour	Order code
Adjustable cable manager spool	Black	SB860ACSF



2 Post rack - Example configuration



Speciality - 2 post rack system

2 Post rack - Example configuration

